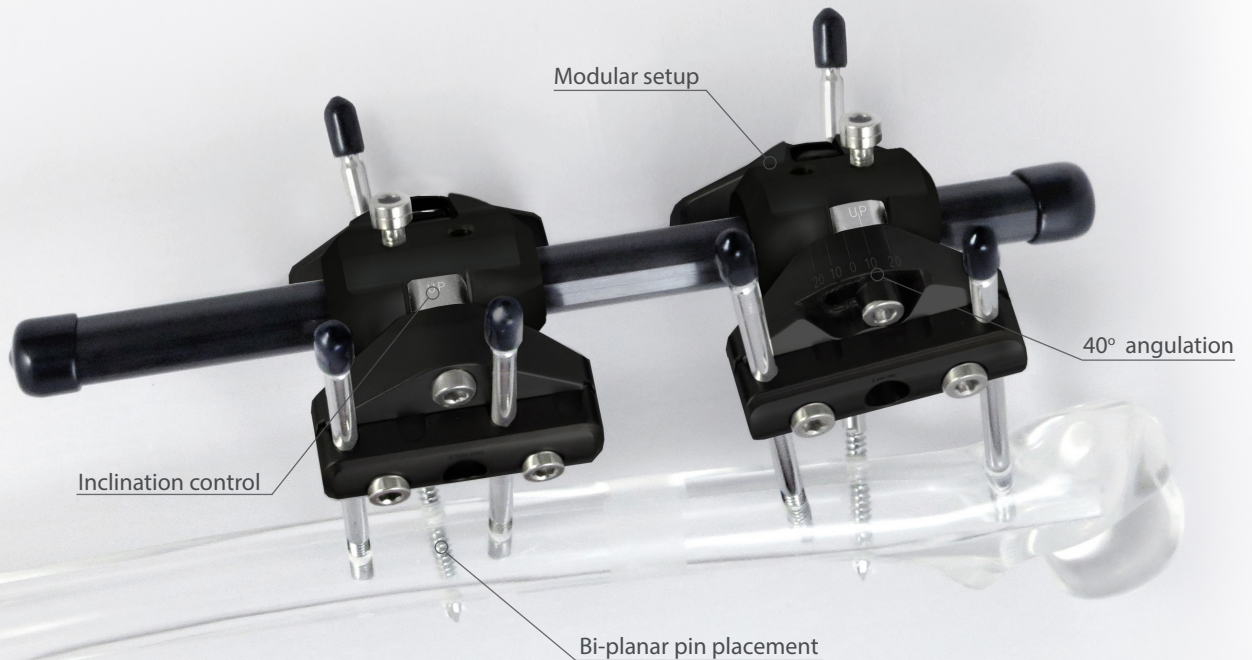
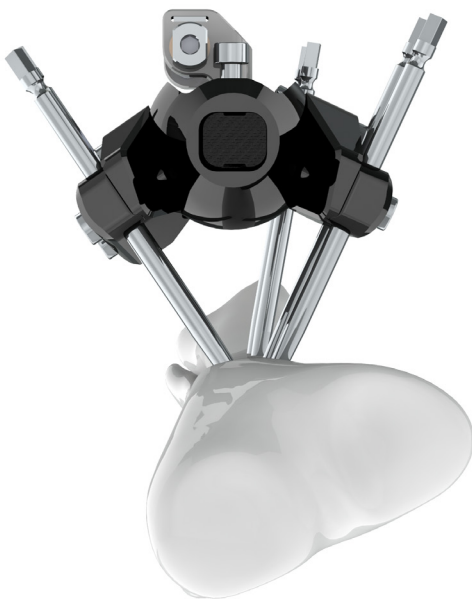


## FIXUS88 RECONSTRUCTION



## Designed for maximum Stability and Versatility



### STABLE

The FIXUS88 Reconstruction fixator is designed for long bone reconstructive treatment. The product is designed for versatile use and holds true to the elementary benefits known of the Fixus trauma fixators. Combined with the well-known Fixus V-pin configuration and the combination of materials and finishing used, guarantees that the reconstruction fixator is rigid, light and durable.

### VERSATILE

The complete new design assures that the doctor has the same easy to use, just-add functionality as is known of the Fixus External Fixation systems, with improved stability for long term usage. Assuring extreme versatility for any type of procedure.

### MODULARITY

The FIXUS88 Reconstruction fixator consists of easy to use basic components. The powerful components combined, allow for movement in all three dimensions independently:

#### Uni Base

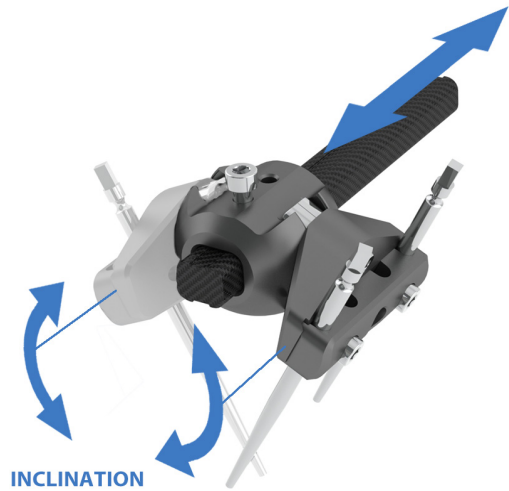
- fully independent place-able on the carbon rod.
- allows for one or two clamps simultaneously.

#### Uni Clamp

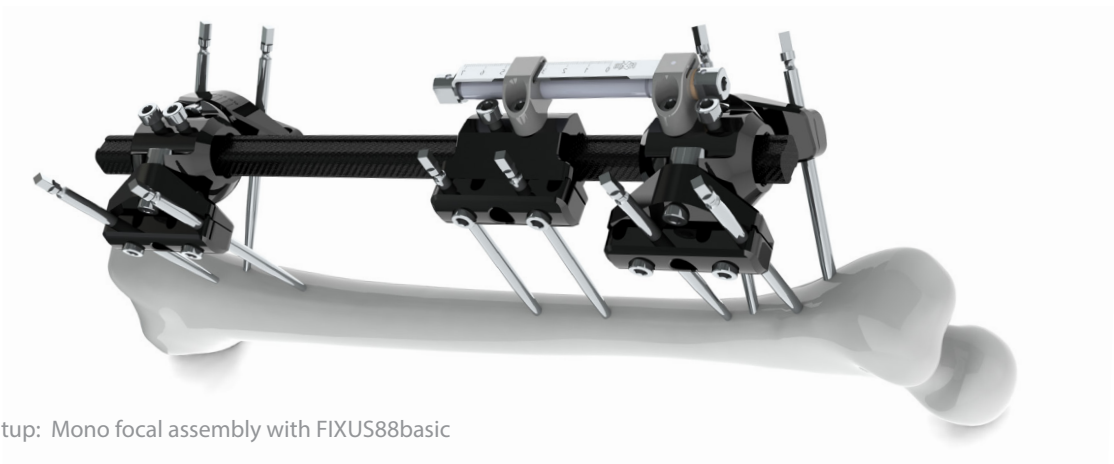
- allows for placement of 4 pins.
- standard inclination control to reach curved bones.

#### Pin Divergation

- Use the Swivel Clamp for up to 40 degrees pindivergation-angle in a Bi planar setup.
- Use Dual Pinholders to reach any desired segment.



Standard setup: uni base with one (or two) uni clamps



Example setup: Mono focal assembly with FIXUS88basic

### FEATURES AND BENEFITS

- Modular frame components allow for independent pin placement
- High stability in multiple planes
- Uni-lateral design with Bi-planar capability
- Standard inclination control for accessing curved bones or fragments
- Infinitive distraction
- Radiolucent carbon fiber rod allows complete fracture visualization

### PRODUCTS

Description	Art. code
FIXUS88 Lengthening	FIX88R104
FIXUS88 Bi focal	FIX88R105
FIXUS88 Tri focal	FIX88R106
FIXUS88 HTO RM	FIX88R201
FIXUS88 CD Device	FIX88R930
FIXUS88 False Base	FIX88R911

YOUR DISTRIBUTOR:

